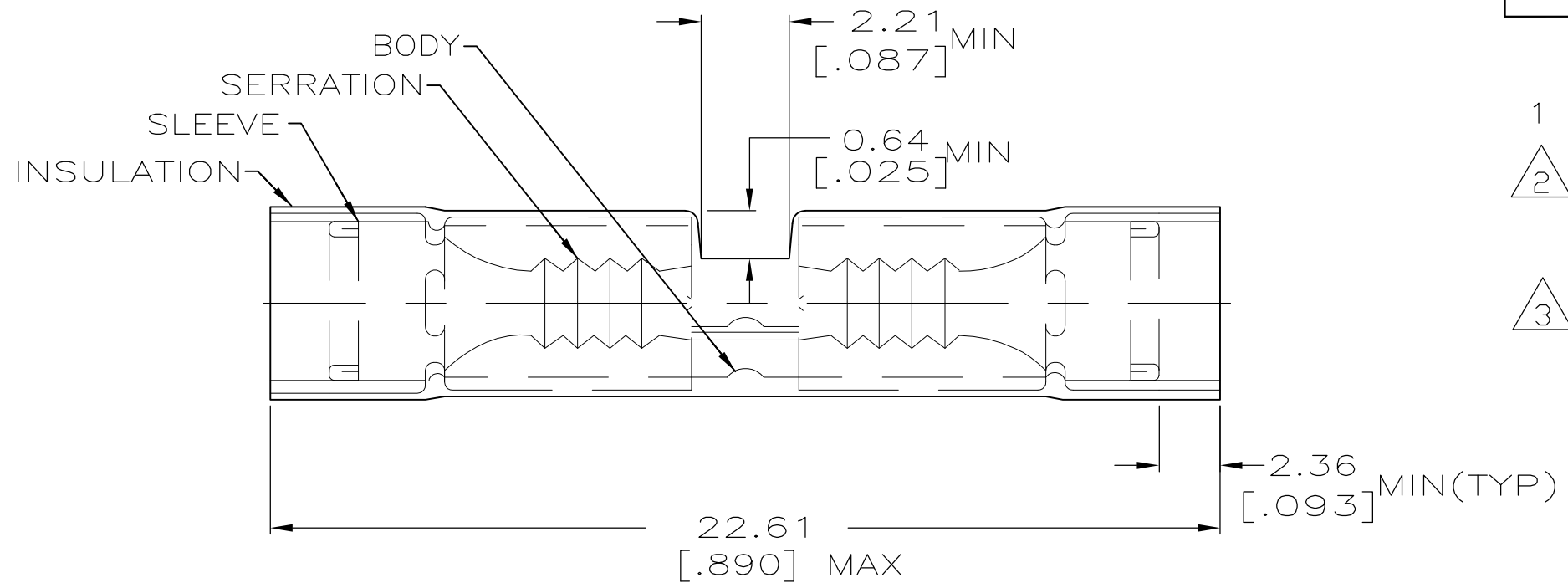


THIS DRAWING IS UNPUBLISHED. RELEASED FOR PUBLICATION
 © COPYRIGHT BY TYCO ELECTRONICS CORPORATION. ALL RIGHTS RESERVED.

LOC	DIST	REVISIONS					
		P	LTR	DESCRIPTION	DATE	DWN	APVD
G	14		T2	REV PER ECR 08-015783	24JUN08	JR	TM

AMP WIRE RANGE	MILITARY WIRE RANGE
26-22 AWG STRANDED	26-24 AWG STRANDED



- 1 WIRE INSULATION DIA 1.27-2.08 [.050-.082]
- 2 MATERIAL, BODY - COPPER PER ASTM B-152
SLEEVE - COPPER PER ASTM B-152
INSULATION - NYLON -COLOR - YELLOW
- 3 PRELIMINARY - NOT FOR PRODUCTION

MILITARY P/N & CLASS PER MIL-T-7928	QTY	PACKAGE TYPE	PART NO
--	25	LOOSE PIECE, BOX	8-323994-3
--	50	LOOSE PIECE, BOX	8-323994-2
--	100	LOOSE PIECE, BOX	3 8-323994-1
--	50	LOOSE PIECE	2-323994-2
--	4000	ON TAPE, REEL	2-323994-1
26-24 M7928/5-1 CLASS 1 & 2	50	LOOSE PIECE	323994

**AMP INCORPORATED
CUSTOMER SERVICE SYSTEMS**

FOR ADDITIONAL PRODUCT INFORMATION OR COPIES OF DRAWINGS AND TECHNICAL DOCUMENTS: PRODUCT INFORMATION CENTER 1-800-522-6752

FOR APPLICATION TOOLING ASSISTANCE CENTER: TOOLING INFORMATION 1-800-722-1111

FOR ORDER ENTRY: 1-800-526-5142

MAX RECOMMENDED OPERATING TEMPERATURE: 105°C [221°F]

VOLTAGE RATING: -

CIRCULAR MIL AREA: 0.10-0.41mm² [202-810] STRANDED

THIS DRAWING IS A CONTROLLED DOCUMENT FOR AMP INCORPORATED. IT IS SUBJECT TO CHANGE AND THE CONTROLLING ENGINEERING ORGANIZATION SHOULD BE CONTACTED FOR THE LATEST REVISION.

THIS DRAWING IS A CONTROLLED DOCUMENT.

DIMENSIONS: MM [INCHES]

TOLERANCES UNLESS OTHERWISE SPECIFIED:

0 PLC	± -
1 PLC	± -
2 PLC	± 0.20 [.008]
3 PLC	± -
4 PLC	± -
ANGLES	± -

MATERIAL: TIN PL PER ASTM B-545

DWN: S.S. GOULDEN 9-28-93
 CHK: R. HERSEY 9-28-93
 APVD: M. ELLIS 9-28-93

Tyco Electronics Tyco Electronics Corporation
Harrisburg, PA 17105-3608

NAME: SPLICE, BUTT, PIDG, WIRE SIZE 26-22 AWG

SIZE: A3 CAGE CODE: 00779 DRAWING NO: C-323994 RESTRICTED TO: -

WEIGHT: -

CUSTOMER DRAWING SCALE: NTS SHEET: 1 OF 1 REV: T2